

The right connection.



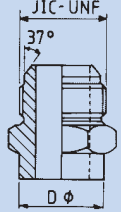
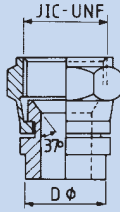
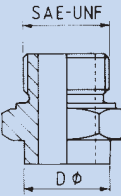
flanges australia

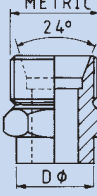
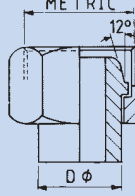
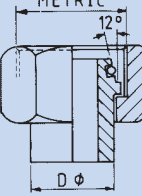
***STAINLESS STEEL WELDING FITTINGS
FOR STEEL HOSE & RIGID SYSTEMS***

Ph: 61 7 3279 2627
Fax: 61 7 3279 2630
Email: sales@flanges-au.com

Welding Fittings for Convoluted Steel Hose, etc.

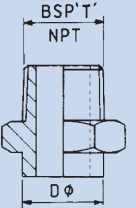
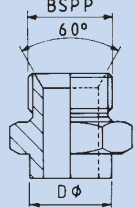
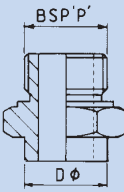
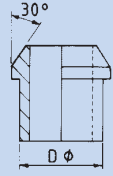
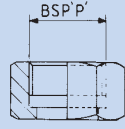
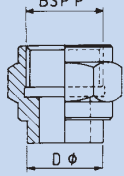
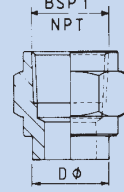
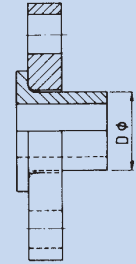
- For stock range refer to our price list.
- All stock items are manufactured in stainless steel BS.970.316 S11/S31.
- Dimensionally based on standards BS 5200, SAE J514, SAE J518, DIN 3861, 3870, etc.

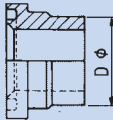
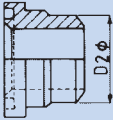
JIC THREAD SIZE UNF (TUBE O.D)	HOSE SIZE D Ø			
		FIXED MALE JIC	SWIVEL FEMALE JIC	FIXED MALE SAE 'OR'
		Part No.	Part No.	Part No.
5/16"-24 (1/8")	1/8"	FMJ-125-2	FSJ-125-2	FMO-12SA-2
7/16"-20 (1/4")	1/4"	FMJ-125-4	FSJ-125-4	FMO-12SA-4
9/16"-18 (3/8")	3/8"	FMJ-125-6	FSJ-125-6	FMO-12SA-6
3/4"-16 (1/2")	1/2"	FMJ-125-8	FSJ-125-8	FMO-12SA-8
7/8"-14 (5/8")	5/8"	FMJ-125-10	FSJ-125-10	FMO-12SA-10
1 1/16"-12 (3/4")	3/4"	FMJ-125-12	FSJ-125-12	FMO-12SA-12
1 5/16"-12 (1")	1"	FMJ-125-16	FSJ-125-16	FMO-12SA-16
1 5/8"-12 (1 1/4")	1 1/4"	FMJ-125-20	FSJ-125-20	FMO-12SA-20
1 7/8"-12 (1 1/2")	1 1/2"	FMJ-125-24	FSJ-125-24	FMO-12SA-24
2 1/2"-12 (2")	2"	FMJ-125-32	FSJ-125-32	FMO-12SA-32

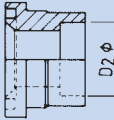
METRIC 'L' SERIES					
THREAD SIZE	TUBE SIZE (mm)	HOSE SIZE 'D' Ø (in)	METRIC MALE	METRIC FEMALE MULTI-SEAL	METRIC FEMALE 'OR'
			Part No.	Part No.	Part No.
M12 x 1.5	6	1/8"	FMCM-125-6L-12-2	FSMM-125-6L-12-2	FSMO-125-6L-12-2
M12 x 1.5	6	1/4"	FMCM-125-6L-12-4	FSMM-125-6L-12-4	FSMO-125-6L-12-4
M16 x 1.5	10	3/8"	FMCM-125-10L-16-6	FSMM-125-10L-16-6	FSMO-125-10L-16-6
M18 x 1.5	12	1/2"	FMCM-125-12L-18-8	FSMM-125-12L-18-8	FSMO-125-12L-18-8
M26 x 1.5	18	5/8"	FMCM-125-18L-26-10	FSMM-125-18L-26-10	FSMO-125-18L-26-10
M30 x 2	22	3/4"	FMCM-125-22L-30-12	FSMM-125-22L-30-12	FSMO-125-22L-30-12
M36 x 2	28	1"	FMCM-125-28L-36-16	FSMM-125-28L-36-16	FSMO-125-28L-36-16
M45 x 2	35	1 1/4"	FMCM-125-35L-45-20	FSMM-125-35L-45-20	FSMO-125-35L-45-20
M52 x 2	42	1 1/2"	FMCM-125-42L-52-24	FSMM-125-42L-52-24	FSMO-125-42L-52-24
M52 x 2	42	2"	FMCM-125-42L-52-32	FSMM-125-42L-52-32	FSMO-125-42L-52-32

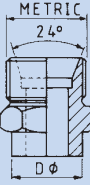
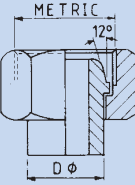
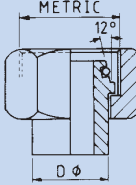
STAINLESS STEEL WELDING FITTINGS FOR STEEL HOSE & RIGID SYSTEMS

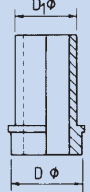


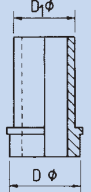
PIPE THREAD SIZE BSP'P' BSP'T' NPT & FLANGE SIZE	HOSE SIZE D Ø																
		FIXED MALE TAPER BSP'T' NPT		FIXED MALE 'CS'		FIXED MALE 'OR'		NIPPLE 'CS'		HOSE NUT		FIXED FEMALE PARALLEL		FIXED FEMALE TAPER BSP'T' NPT		LAP JOINT FLANGE NIPPLE (ASA 150lb)	
		Part No.	Part No.	Part No.	Part No.	Part No.	Part No.	Part No.	Part No.	Part No.	Part No.	Part No.	Part No.	Part No.	Part No.	Part No.	Part No.
1/8"	1/8"	FMT-12BT-2	FMT-12NT-2	FMC-125-2	FMO-12BP-2	CN-125-2	HN-125-2	FFP-12BP-2	FFT-12BT-2	FFT-12NT-2	—	—	—	—	—	—	
1/4"	1/4"	FMT-12BT-4	FMT-12NT-4	FMC-125-4	FMO-12BP-4	CN-125-4	HN-125-4	FFP-12BP-4	FFT-12BT-4	FFT-12NT-4	—	—	—	—	—	—	
3/8"	3/8"	FMT-12BT-6	FMT-12NT-6	FMC-125-6	FMO-12BP-6	CN-125-6	HN-125-6	FFP-12BP-6	FFT-12BT-6	FFT-12NT-6	—	—	—	—	—	—	
1/2"	1/2"	FMT-12BT-8	FMT-12NT-8	FMC-125-8	FMO-12BP-8	CN-125-8	HN-125-8	FFP-12BP-8	FFT-12BT-8	FFT-12NT-8	LJN-125-8	—	—	—	—	—	
5/8"	5/8"	—	—	FMC-125-10	FMO-12BP-10	CN-125-10	HN-125-10	FFP-12BP-10	—	—	—	—	—	—	—	—	
3/4"	3/4"	FMT-12BT-12	FMT-12NT-12	FMC-125-12	FMO-12BP-12	CN-125-12	HN-125-12	FFP-12BP-12	FFT-12BT-12	FFT-12NT-12	LJN-125-12	—	—	—	—	—	
1"	1"	FMT-12BT-16	FMT-12NT-16	FMC-125-16	FMO-12BP-16	CN-125-16	HN-125-16	FFP-12BP-16	FFT-12BT-16	FFT-12NT-16	LJN-125-16	—	—	—	—	—	
1 1/4"	1 1/4"	FMT-12BT-20	FMT-12NT-20	FMC-125-20	FMO-12BP-20	CN-125-20	HN-125-20	FFP-12BP-20	FFT-12BT-20	FFT-12NT-20	LJN-125-20	—	—	—	—	—	
1 1/2"	1 1/2"	FMT-12BT-24	FMT-12NT-24	FMC-125-24	FMO-12BP-24	CN-125-24	HN-125-24	FFP-12BP-24	FFT-12BT-24	FFT-12NT-24	LJN-125-24	—	—	—	—	—	
2"	2"	FMT-12BT-32	FMT-12NT-32	FMC-125-32	FMO-12BP-32	CN-125-32	HN-125-32	FFP-12BP-32	FFT-12BT-32	FFT-12NT-32	LJN-125-32	—	—	—	—	—	

SAE FLANGE HEAD (in)	HOSE SIZE D Ø OR PIPE SIZE (NB) D ₂ Ø				
		FLANGE HEAD HOSE WELDING		FLANGE HEAD PIPE (NB) BUTT WELD SCH 80'S	
		3000lb	6000lb	3000lb	6000lb
		Part No.	Part No.	Part No.	Part No.
1/2"	1/4"	FHW3-125-8-4	FHW6-125-8-4	FBW3-125-8-4	FBW6-125-8-4
1/2"	3/8"	FHW3-125-8-6	FHW6-125-8-6	FBW3-125-8-6	FBW6-125-8-6
1/2"	1/2"	FHW3-125-8	FHW6-125-8	FBW3-125-8	FBW6-125-8
1/2"	5/8"	FHW3-125-8-10	FHW6-125-8-10	—	—
3/4"	3/4"	FHW3-125-12	FHW6-125-12	FBW3-125-12	FBW6-125-12
1"	3/4"	FHW3-125-16-12	FHW6-125-16-12	FBW3-125-16-12	FBW6-125-16-12
1"	1"	FHW3-125-16	FHW6-125-16	FBW3-125-16	FBW6-125-16
1 1/4"	1 1/4"	FHW3-125-20	FHW6-125-20	FBW3-125-20	FBW6-125-20
1 1/2"	1 1/2"	FHW3-125-24	FHW6-125-24	FBW3-125-24	FBW6-125-24
2"	2"	FHW3-125-32	FHW6-125-32	FBW3-125-32	FBW6-125-32

SAE FLANGE HEAD SIZE	TUBE O.D D ₂ Ø		
		FLANGE HEAD O.D TUBE S. WELD	
		3000lb	6000lb
		Part No.	Part No.
1/2"	1/4"	FSW3-125-8-4	FSW6-125-8-4
1/2"	3/8"	FSW3-125-8-6	FSW6-125-8-6
1/2"	1/2"	FSW3-125-8	FSW6-125-8
3/4"	1/2"	FSW3-125-12-8	FSW6-125-12-8
3/4"	5/8"	FSW3-125-12-10	FSW6-125-12-10
3/4"	3/4"	FSW3-125-12	FSW6-125-12
1"	1/2"	FSW3-125-16-8	FSW6-125-16-8
1"	5/8"	FSW3-125-16-10	FSW6-125-16-10
1"	3/4"	FSW3-125-16-12	FSW6-125-16-12
1"	1"	FSW3-125-16	FSW6-125-16

METRIC 'S' SERIES					
THREAD SIZE	TUBE SIZE (mm)	HOSE SIZE 'D' Ø (in)	METRIC MALE	METRIC FEMALE MULTI-SEAL	METRIC FEMALE 'OR'
			Part No.	Part No.	Part No.
M14 x 1.5	6	1/8"	FMCM-125-6S-14-2	FSMM-125-6S-14-2	FSMO-125-6S-14-2
M14 x 1.5	6	1/4"	FMCM-125-6S-14-4	FSMM-125-6S-14-4	FSMO-125-6S-14-4
M18 x 1.5	10	3/8"	FMCM-125-10S-18-6	FSMM-125-10S-18-6	FSMO-125-10S-18-6
M20 x 1.5	12	1/2"	FMCM-125-12S-20-8	FSMM-125-12S-20-8	FSMO-125-12S-20-8
M24 x 1.5	16	5/8"	FMCM-125-16S-24-10	FSMM-125-16S-24-10	FSMO-125-16S-24-10
M30 x 2	20	3/4"	FMCM-125-20S-30-12	FSMM-125-20S-30-12	FSMO-125-20S-30-12
M36 x 2	25	1"	FMCM-125-25S-36-16	FSMM-125-25S-36-16	FSMO-125-25S-36-16
M42 x 2	30	1 1/4"	FMCM-125-30S-42-20	FSMM-125-30S-42-20	FSMO-125-30S-42-20
M52 x 2	38	1 1/2"	FMCM-125-38S-52-24	FSMM-125-38S-52-24	FSMO-125-38S-52-24
M52 x 2	38	2"	FMCM-125-38S-52-32	FSMM-125-38S-52-32	FSMO-125-38S-52-32

O.D STAND PIPE D ₁ Ø (in)	HOSE SIZE D Ø (in)	
		STAND PIPE Part No.
1/4"	1/8"	SP-125-4-2
1/4"	1/4"	SP-125-4
3/8"	1/4"	SP-125-6-4
3/8"	3/8"	SP-125-6
1/2"	1/2"	SP-125-8
3/4"	1/2"	SP-125-12-8
3/4"	5/8"	SP-125-12-10
3/4"	3/4"	SP-125-12
1"	3/4"	SP-125-16-12
1"	1"	SP-125-16

METRIC STAND PIPE D ₁ Ø (mm)	HOSE SIZE D Ø (in)	
		STAND PIPE Part No.
6	1/8"	SPM-125-6-2
6	1/4"	SPM-125-6-4
8	1/4"	SPM-125-8-4
10	3/8"	SPM-125-10-6
12	1/2"	SPM-125-12-8
14	1/2"	SPM-125-14-8
16	5/8"	SPM-125-16-10
20	3/4"	SPM-125-20-12
22	3/4"	SPM-125-22-12
25	1"	SPM-125-25-16